



CITR3PRO

In-Tank Refugium

The CITR3PRO In-Tank Refugium or “Safe House” is designed to deliver several features and benefits that would help any aquarium. Some of these benefits include improving filtration by growing and harvesting macroalgae, and providing better food options for the aquarium by cultivating small organisms like copepods and amphipods. The CITR3PRO can also function as a protected area for newly added fish or invertebrates to acclimate in, and can help injured fish and corals regenerate damaged tissue without the need for a separate quarantine tank. The versatility, ease of use, and functionality provided by the CITR3PRO will surely meet the wide variety of needs of every aquarist.

1) Carefully remove all packaging and inspect the unit for damaged or missing parts. You should have:

- (1) CITR3PRO body
- (1) Powerhead (DX model only)
- (1) Hanging bracket
- (1) Set of adjustment screws

If any items are damaged or missing, please contact your dealer immediately.

2) Using two of the short (1/2”) screws attach the bracket to the CITR3PRO body (see diagram on Pg. 2). Insert the screws through the slots in the bracket and thread them into the two holes in the back of the CITR3PRO body. Do not over tighten the screws.

3) If you purchased the DX model, please remove the powerhead and locate the **outlet adapter** in the bag of accessories. For DX units, this part (pictured on right) will be the only accessory piece needed. If you are using your own pump, your outlet needs to have an outside diameter of 3/8”, 5/16” or 8.5mm



* A pump is not required if there is strong enough current from the side for gentle circulation *

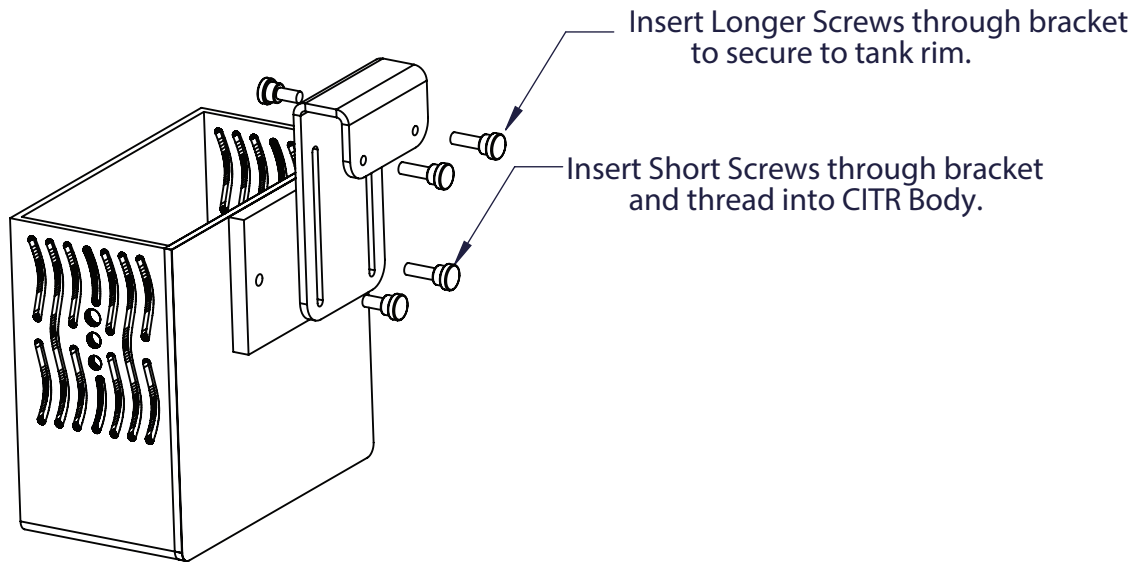
- 4) Install one of the short (1/2”) screws into the hole for the leveling screw (see diagram on Pg. 2) above the slots on the tank side of the bracket. This screw is not always needed but can be used to adjust the bracket to keep the CITR3PRO level. Install a pair of the longer set screws to secure bracket to the rim of your tank. Multiple sizes are included to account for various tank and rim thicknesses. Use the shortest screws needed.
- 5) Place the CITR3PRO inside the tank by hanging the bracket over the rim of your tank. On wider rims (up to 1.25” thick) you may need to gently stretch the bracket over the rim. Check the height of the unit and see if it is level. You want the top edge of the box to be slightly above the water level in the tank. If this is not the case, remove the unit and loosen the screws from Step 2, adjust the height of the CITR3PRO, and retighten.
- 6) If the unit is not level from front to back, adjust the small screws at the bottom of the bracket to level.
- 7) If adding substrate, it is important to have the powerhead unplugged before doing so.
- 8) Generally, substrate should also be rinsed before being added to the CITR3PRO. Follow the substrate manufacturer’s recommendations. Note that lightweight substrate may be blown around by the flow of the powerhead.
- 9) Plug in the pump and allow it to run for approximately one hour before adding livestock.

The CITR3PRO can be used in both Freshwater and Saltwater aquariums

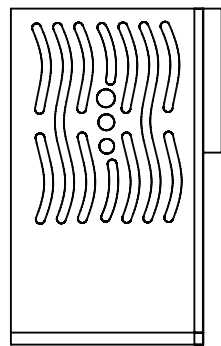
CPR Technical Support (707) 267-6024 • FAX (888)914-7888

www.cprusa.com • cpr@cprusa.com

CITR IN TANK REFUGIUM



Leveling Screw
(Optional)



Choose Screw Based
on rim width for least overhang.

The goal is to have the least amount of screw head sticking out from the bracket. A small screw for a wide rim tank or a long screw for a rimless tank.

We hope you enjoy your CITR In Tank Refugium! All our products are handcrafted in the USA by skilled craftsmen. If you have any questions, comments, or concerns, please don't hesitate to call.